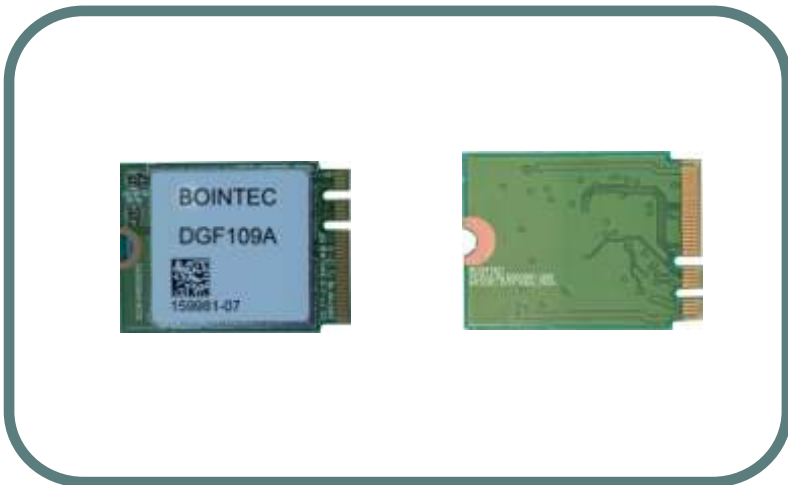


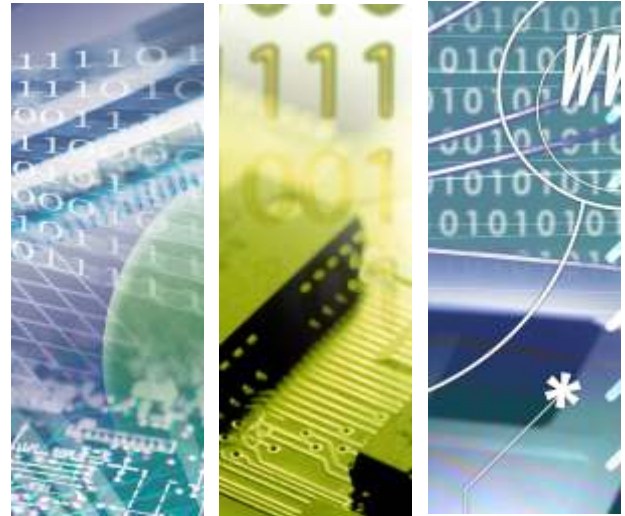


# DGF108A

802.11ac WiFi with BT4.0 Combo NGFF Card



Complete Solution for WiFi and Bluetooth.



DGF108A

## Introduction of Products

Bointec DGF108A is an dual band 802.11ac/b/g/n Dual-Band WiFi + Bluetooth NGFF adapter. It is a 2T2R (WiFi/BT co-existence supported) technology, with 20/40/80MHz and 256-QAM to maximize bandwidth. Bointec DGF108A lets you move at the speed of life with faster speeds (up to 867 Mbps, 1~3Mbps EDR for Bluetooth), higher capacity, broader coverage and longer battery life. Dramatically reshapes your connected experience.

Higher throughput wireless networking-- adopting the latest 802.11ac solution, Bointec DGF108A is ideal for next-generation high throughput enterprise networking solution.

As usual DGF108A incorporated with advanced security encryption, such as WEP, WPA, WPA2, and 802.1x for secure wireless connection.

## Product Highlight

### BT Feature:

- Bluetooth V4.1, V4.0 LE, V3.0+HS, V2.1+EDR system, backwards compatible
- Support Class I
- BT transmission speed including 1M, 2M and 3Mbps EDR operations
- Support for Simple Pairing (SP) and Enhanced Inquiry Response (EIR)function
- Support for SCATTERNETandPICONET
- HCI USB interfaceto work with Windows upper layer stack

### Wi-Fi Feature:

- Operate at ISM frequency Band(2.4/ 5 GHz)
- IEEE Standards Support802.11ac, 802.11a, 802.11b, 802.11gand 802.11n
- Wi-Fi using mini PCIe interface
- Enterprise levelsecurity supporting: WPA, WPA2
- Support 2transmission and 2receiving, up to 867Mbps(Physical Rate)in downstream and upstream



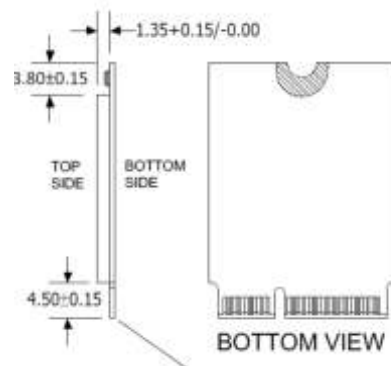
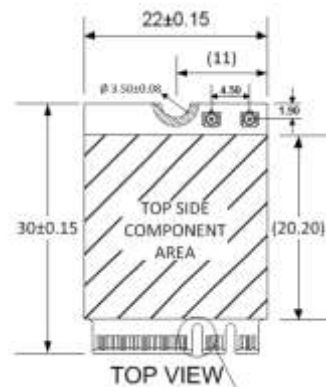
## Specification:

Bluetooth	
Standard	Bluetooth V4.1, V4.0LE, V3.0+HS, V2.1+EDR,
Bus Interface	USB2.0
Data Rate	1 Mbps, 2Mbps and Up to 3Mbps
Modulation Scheme	GFSK, /4-DQPSK and 8-DPSK
Frequency Range	2.402~2.480 GHz
Transmit Output Power	0? Output Power ? +10; Class 1 Device
Receiver Sensitivity	< 0.1% BER at -70dBm
Software	BluetoothSuite

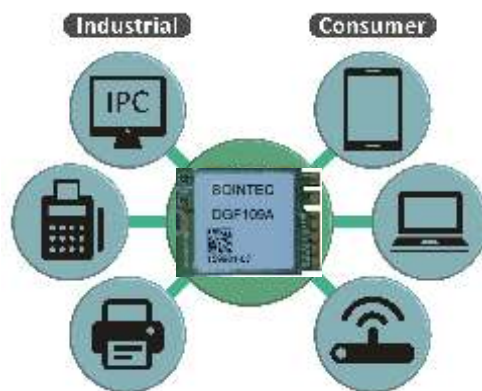
WiFi	
Standard	IEEE802.11ac, IEEE802.11a, IEEE802.11b, IEEE 802.11g, IEEE 802.11n
Bus Interface	PCI Express
Data Rate	802.11a: 54, 48, 36, 24, 18, 12, 9, 6 Mbps 802.11b: 11, 5.5, 2, 1 Mbps 802.11g: 54, 48, 36, 24, 18, 12, 9, 6 Mbps 802.11n: MCS 0 to 15 802.11ac: MCS 0 to 9
Media Access Control	CSMA/CA with ACK
Modulation Techniques	802.11ac: 256QAM, 64QAM, 16QAM, QPSK, BPSK 802.11a: 64QAM, 16QAM, QPSK, BPSK 802.11b: CCK, DQPSK, DBPSK 802.11g: 64QAM, 16QAM, QPSK, BPSK 802.11n: BPSK, QPSK, 16QAM, 64QAM
Network Architecture	Ad-hoc mode (Peer-to-Peer) Infrastructure mode
Operation Channel	5GHz 12: - United States 19: - Europe 8: - Japan 2.4GHz 11: (Ch. 1-11) - United States 13: (Ch. 1-13) - Europe 14: (Ch. 1-14) - Japan
Frequency Range	802.11a / ac: 5.15~5.85 GHz 802.11bg: 2.412 ~ 2.4835 GHz

Electronics characteristics	
Operating Voltage	3.3 V ±9% I/O supply voltage
OS Supported	Microsoft Windows
Antenna Type	Dual MHF4 Antenna Connectors
Operating Temperature	-10° ~ +70°C
Storage Temperature	-40° ~ +80°C
Operating Humidity	15%~95%, non-condensing
Storage Humidity	Max.95%, non-condensing

## ME Drawing/placement



## Applications



TAIJET BOINTEC CO LTD  
4F, #114, Zhouzi St., Neihu-Taimei 11493, Taiwan  
TEL:+886-2-2759-0081  
WWW.BOINTEC.COM

Bointec Authorized Distributer