

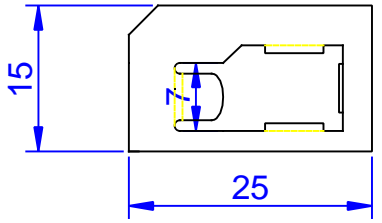
PROPRIETARY AND CONFIDENTIAL
 THE INFORMATION CONTAINED IN THIS DRAWING IS THE SOLE PROPERTY OF BPLUS TECHNOLOGY CO., LTD. ANY
 REPRODUCTION IN PART OR AS A WHOLE WITHOUT THE WRITTEN PERMISSION OF BPLUS TECHNOLOGY CO., LTD. IS PROHIBITED

部件/Part	材料/Material	鍍鋅/Galvanization
SIM 卡托/SIM card slot	ABS	無/None
SIM 卡針/Sim card Needle	鋼板/steel	有/Yes

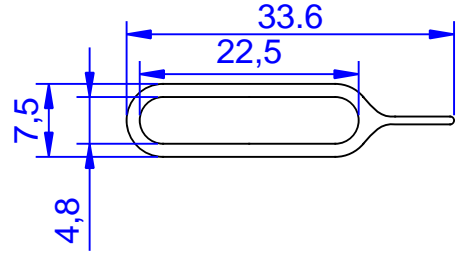
SIM thickness

SIM Card Size	Length (mm)	Width (mm)	Thickness (mm)	Real Thickness (mm)
SIM (2FF)	25.00	15.00	0.76	0.80
Micro-SIM (3FF)	15.00	12.00	0.76	0.75
Nano-SIM (4FF)	12.30	8.80	0.67	0.70

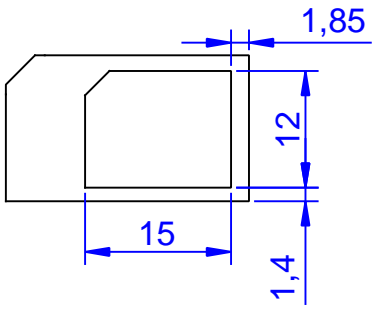
Nano SIM to normal SIM card tray



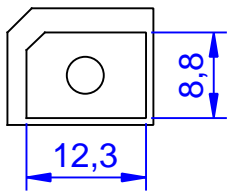
SIM 卡針/Sim card Needle



Micro SIM to normal SIM card tray



Nano SIM to Micro SIM card tray



APPROVED:	- TOLERANCES -		UNIT: mm	TITLE: CT21A	SHEET 1/1
ENGINEER:	General	Angles	SCALE: 1:1	DRAWING NUMBER: 001	SIZE A4
CHECKED:	30~ ±0.5	0° ±3°			Date: 2014/12/3
DRAWN: Sky	10~30 ±0.3	0.0° ±2°		Bplus Technology Co., Ltd.	
	5~10 ±0.2				
	0-5 ±0.10				