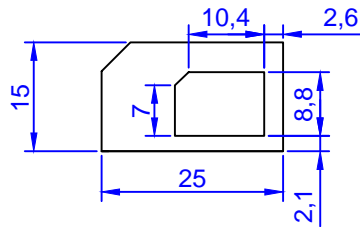
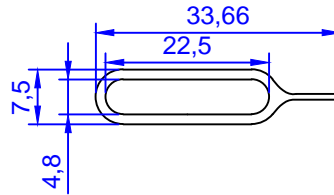


部件/Part	材料/Material	鍍鋅/Galvanization
SIM卡托/SIM card slot	ABS	無/None
SIM卡針/Sim card Needle	鋼板/steel	有/Yes

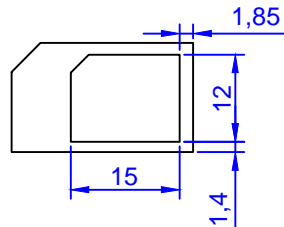
Nano SIM to normal SIM card tray



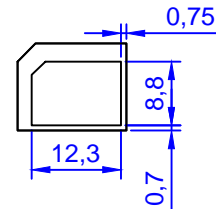
SIM卡針/Sim card Needle



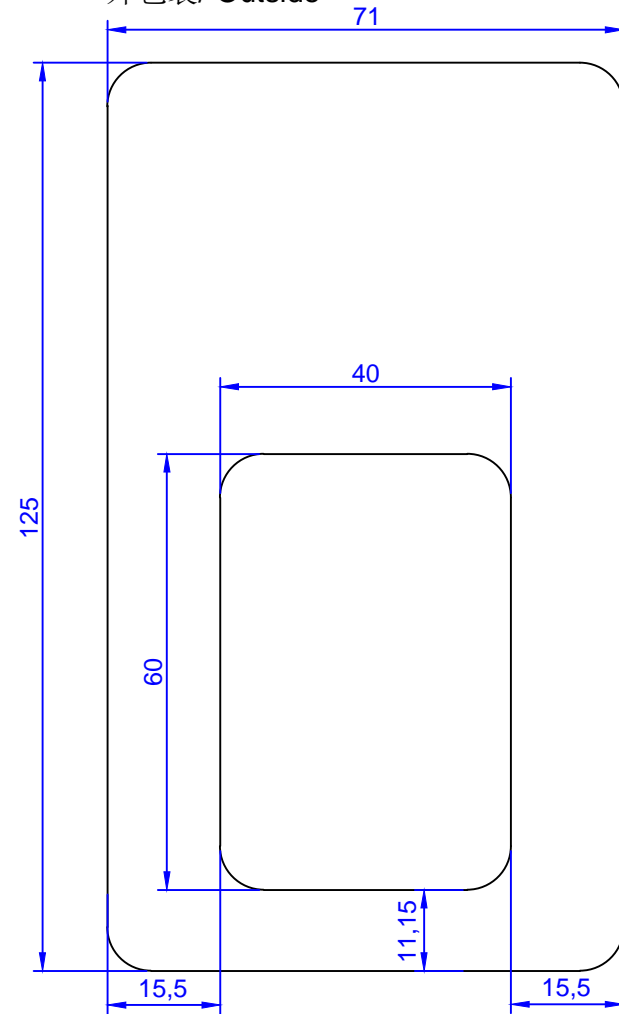
Micro SIM to normal SIM card tray



Nano SIM to Micro SIM card tray



外包装/ Outside



SIM thickness

SIM Card Size	Length (mm)	Width (mm)	Thickness (mm)	Real Thickness (mm)
SIM (2FF)	25.00	15.00	0.76	0.80
Micro-SIM (3FF)	15.00	12.00	0.76	0.75
Nano-SIM (4FF)	12.30	8.80	0.67	0.70



APPROVED:	- TOLERANCES -		UNIT: mm	TITLE : CT21	SHEET 1/1
ENGINEER:	General	Angles	SCALE: 1:1	DRAWING NUMBER: 001	SIZE A4
CHECKED:	30~ ±0.25	0° ±3°			Date 2014/11/21
DRAWN: Sky	10~30 ±0.20	0.0° ±2°			REV1.0 A/0
	5~10 ±0.15		Bplus Technology Co., Ltd.		
	0-5 ±0.10				