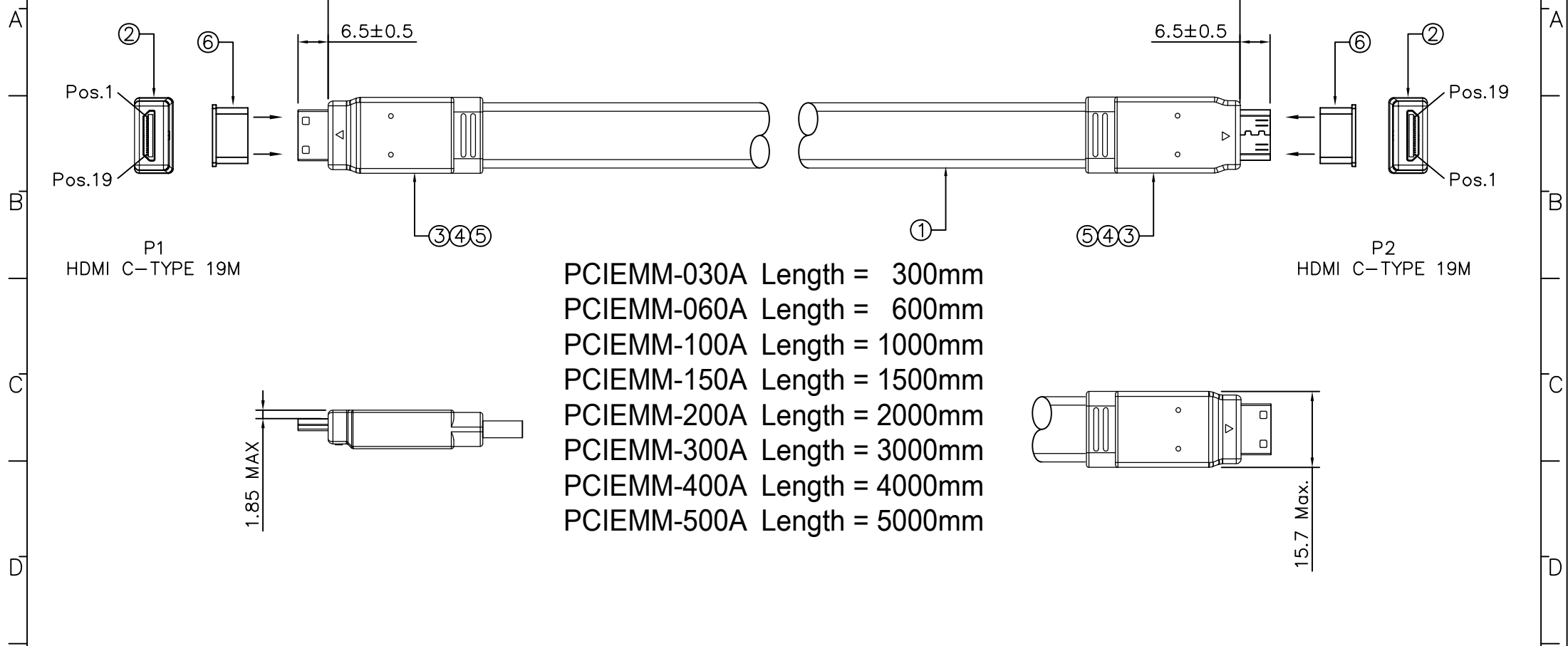


MATERIAL MUST BE ACCORD WITH RoHS STANDARD

版本 REV.	变更内容 DESCRIPTION	变更号 ECN No.	日期 DATE
1.0	ISSUE	REL	2011-04-11



6	BOARDING CAP		2Pcs
5	OUTER MOLD	PVC 60P,COLOR: BLACK	AR
4	INNER MOLD	LD-PE,COLOR: TRANSPARENT	AR
3	COPPER FOIL	W25 × L100mm	2Pcs
2	CONNECTOR-1	HDMI C-TYPE 19 PIN MALE,SOLDER & MOLEDED TYPE,INSULATOR: BLACK,GOLD FLASH PLATED CONTACT,GOLD FLASH PLATED SHELL	2Pcs
1	CABLE	HDMI FLAT CABLE,(30AWG×1Pr+D+AM)×5C+(30AWG×4C+D+AL)×1C,AB(铝编),PVC JACKET: BLACK,OD=3.5 × 13.5mm (100±15Ω)	1Pcs
No.	PART NO.	DESCRIPTION	Q'TY

Bplus Technology Co., Ltd.

TITLE: HDMI C-TYPE 19M TO HDMI C-TYPE 19M CABLE		DWG NO.: SYQ0002-0006-F	
		CUSTOMER NO.: YQ	
		CUSTOMER P/N: PCIEMM CABLE	
	SCALE NONE	UNIT mm	CUS REV. 1.0
		HY REV. 1.0	DATE 2011-04-11
			SHEET 1/2
DRAWING/制图		CHECKED/审核	
APPROVED/核准			

A

B

C

D

E

A

B

C

D

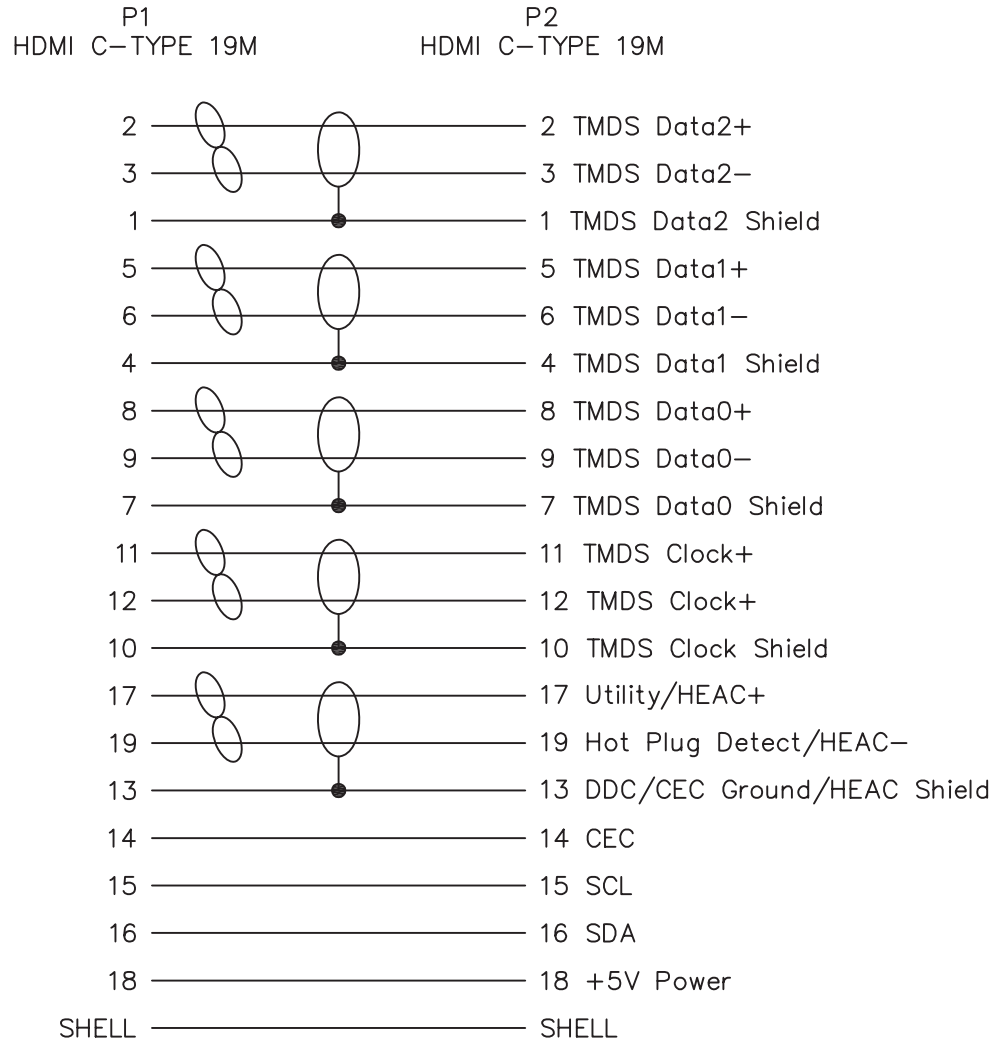
E

1 2 3 4 5 6 7 8

MATERIAL MUST BE ACCORD WITH RoHS STANDARD

版本 REV.	变更内容 DESCRIPTION	变更号 ECN No.	日期 DATE
1.0	ISSUE	REL	2011-04-11

PIN_OUT




NOTE

- 1.100% OPEN/SHORT TEST.
- 2.CONDUCT RESISTANCE, $2\ \Omega$ (MAX),DC300V INSULATION RESISTANCE, $10M\ \Omega$ (MIN).
- 3.DIMSION MARK "▼" BY QC CHECK.

Bplus Technology Co., Ltd.

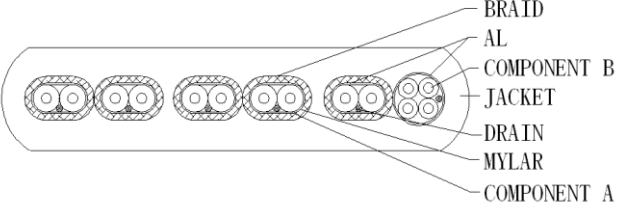
TITLE: HDMI C-TYPE 19M TO HDMI C-TYPE 19M CABLE		DWG NO.: SYQ0002-0006-F	
		CUSTOMER NO.: YQ	
		CUSTOMER P/N: PCIEMM CABLE	
	SCALE NONE	UNIT mm	CUS REV. 1.0
			HY REV. 1.0
			DATE 2011-04-11
			SHEET 2/2
DRAWING/制图		CHECKED/审核	
		APPROVED/核准	

Specification:(1/0.254B*1P+D+AL+MYLAR+B)*5C+(1/0.254Bx4C+D+AL)

Component		COMPONENT A	COMPONENT B
Conductor	Constitution AWG/mm	1/0.254 (30AWG)	1/0.254 (30AWG)
	Material	BARE COPPER WIRE	BARE COPPER WIRE
	Cabling OD mm	0.254(REF)	0.254(REF)
Insulation	NO of wire	5P	4C
	Material	FOAM-PE+SKIN	HD-PE
	OD mm	0.70 ±0.05	0.50 ±0.05
	Thickness mm	0.23(REF)	0.12(REF)
Color	1.WHITE&RED 2.WHITE&RED 3.WHITE&RED 4.WHITE&RED 5.WHITE&RED	6.RED 7.YELLOW 8.WHITE 9.PURPLE	
Shield	Drain	7/0.10 (30AWG)	7/0.10 (30AWG)
	Material	TINNED COPPER STRANDED	TINNED COPPER STRANDED
	AL/MYLAR	AL.FACE INSIDE	AL.FACE INSIDE
	Hot Melt Mylar	Transparent Mylar	/
	Constitution N/mm	16/4/0.12	/
	Material	ALUMINIUM MAGNESIUM ALLOY	/
	Coverage %	85%	/
Jacket	Material	PVC	
	OD mm	(3.8±0.20)x(13.7±0.35)	
	Thickness mm	0.6(REF)	
	Marking	HIGH SPEED HDMI® CABLE WITH ETHERNET E301195  AWM STYLE 20276 80°C 30V VW-1 PAK HENG	
	Hardness A	SHORE.A 80±3	
	Color	BLACK	


UL (Style) UL20276

Electric Characters:	Physical Characters:
1. Voltage rating: 30V 2. Temperature rating: 80°C 3. Spark test:AC- 1500V/In the air 4. Dielectric strength: AC-500V/1 sec MIN 5. Insulation resistance: FOAM-PE/HD-PE DC-500V 100MΩ.KM MIN.at 20°C 6. Conductor resistance: 30AWG-376Ω/KM MAX at 20°C	1. Tensile strength test are before aging:JACKET:1500PSI min Aged:70% min 2. Elongation before aging:JACKET:100% min Aged:65% min

Diagram:	CUSTOMER'S SIGN:	
		FULL APPROVED
		REJECTED
	CUSTOMER'S SIGN	
	NOTE	
	APPROVE:	PART NO:
	AUDITING:	EDITION:H0141145
	DRAWING:Zhou	DATE:2010/11/18

版次: 01

PHQ4-EN-01-05

Cable comparison	PCIEMM-xxx	PCIEMM-xxxA
Cable Length	PCIEMM-030 30CM PCIEMM-060 60CM PCIEMM-100 100CM	PCIEMM-010A 10CM PCIEMM-015A 15CM PCIEMM-030A 30CM PCIEMM-060A 60CM PCIEMM-100A 100CM PCIEMM-150A 150CM PCIEMM-200A 200CM PCIEMM-300A 300CM PCIEMM-400A 400CM PCIEMM-500A 500CM
Cable specification Connector	HDMI 1.3c Mini HDMI	HDMI 1.4b Mini HDMI
Interface	Custom PCIe cable	Custom PCIe cable
Cable Appearance	circle 	flat 