

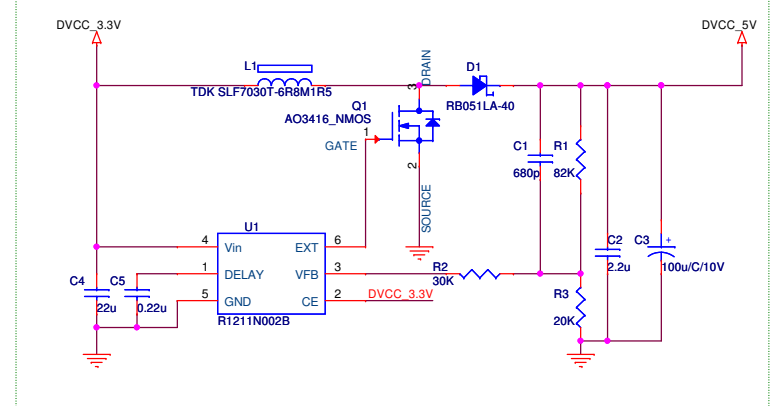
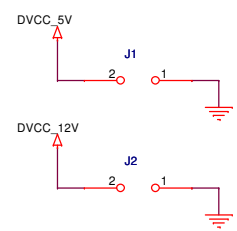
# PCI Expresscard adapter for Expresscard 2.0 slot

Model: PE3A

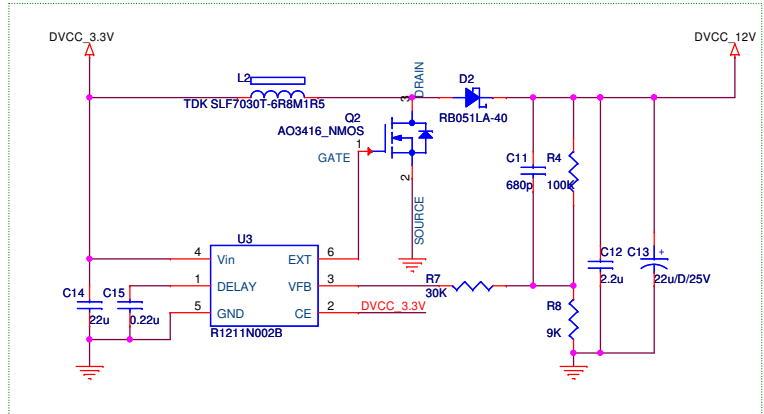
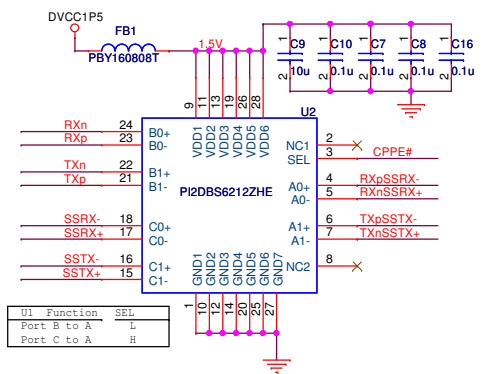
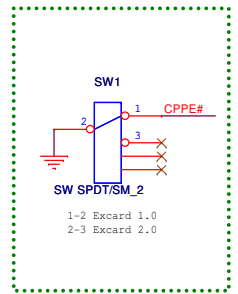
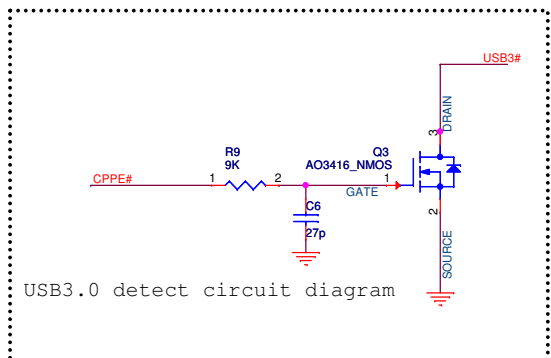
PE3A is passive adapter. Your notebook PC needs support ExpressCard standard release 2.0. otherwise USB3.0 function can work properly. And can insert PCIe Card and USB3.0 device at the same time. Otherwise USB3.0 function can work properly.

Schematic update note:

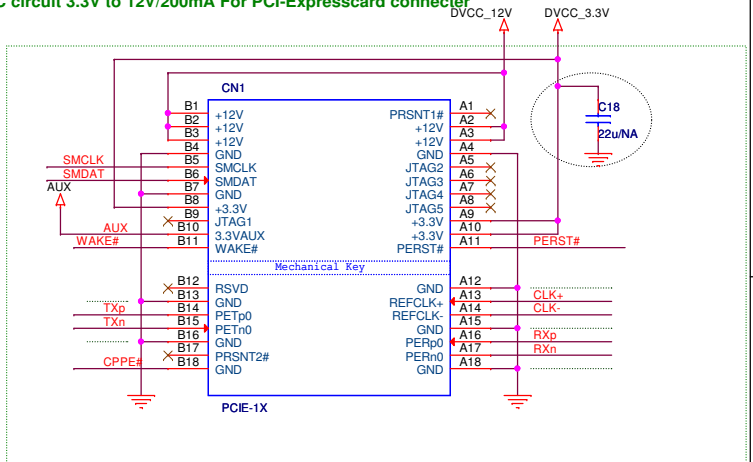
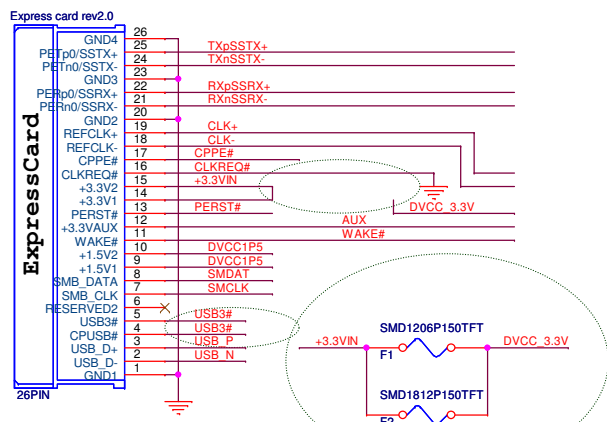
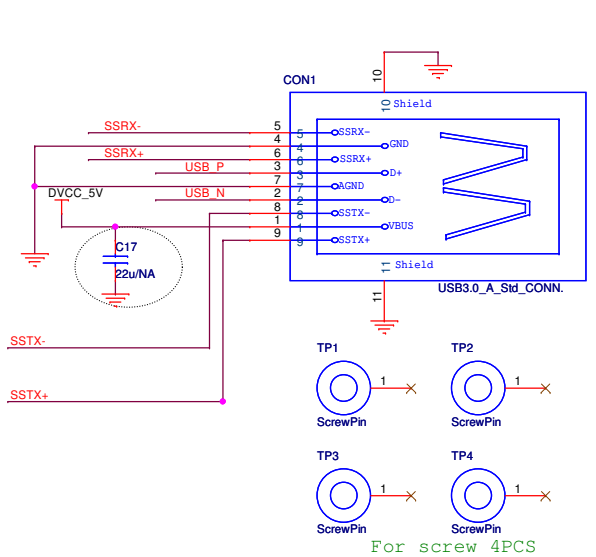
- First released.....2008/Mar/31 V1.00
- Second released.....2009/Oct/18 V1.01
  - Add screw 4PCS
- 3rd released.....2010/Jun/23 V3.1
  - Support expresscard standard 2.0 (PCIe 2x, USB3.0)



DC/DC circuit 3.3V to 5V/1000mA For PCI-Expresscard connector



DC/DC circuit 3.3V to 12V/200mA For PCI-Expresscard connector



PCI-Express 1x connector

Title			
PCI Express 1x connector to Expresscard		design by Gerry Chen	
Size	A3	Document Number	PCIE_EXCARD
Date:	Tuesday, August 23, 2011	Bplus technology Co., Ltd.	Rev 3.1
Sheet		1 of 1	